

Click to Clear Form

Clear

caution: this clears all form fields

HEMCO Corporation ISO 9001: 2008

Plan-A-UniFLOW FM Fume Hoods

Click to Submit Form

Submit

window opens, select your e-mail service, add a message, press send

HEMCO Corporation PH:816-796-2900 Fax:816-796-3333 info@HEMCOCORP.COM

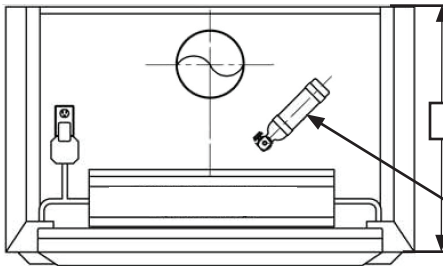
PLAN-A-HOOD FM FUME HOOD

SHEET 1 OF 2

CUSTOMER _____
 BY _____ DATE _____
 PHONE _____
 FAX _____
 EMAIL _____

CUSTOMER APPROVAL APPROVED AS SHOWN
 APPROVED AS NOTED (PLEASE MARK CORRECTIONS IN RED)
 NOT APPROVED (PLEASE INDICATE REASON)
 CUSTOMER SIGNATURE _____ DATE _____

CATALOG NO #
FUME HOOD WIDTH:
FUME HOOD DEPTH:
FUME HOOD HEIGHT:
PROCESSES TO BE PERFORMED:



TOP VIEW

SPECIFY EXTERIOR DEPTH

30"
36"
48"
OTHER

FIRE EXTINGUISHER CAT. NO

20 SQ. FT DRY CHEMICAL	
30 SQ. FT DRY CHEMICAL	
OTHER	

BLOWER SWITCH CAT. NO

TOGGLE SWITCH 125V,15A	
TOGGLE SWITCH 125V, 20A	
TOGGLE SWITCH. 250V, 20A	
TOGGLE SWITCH W/PILOT	
MOTOR STARTER SWITCH	

SERVICE FIXTURES CAT. NO

REMOTE CONTROLLED	
REMOTE CONTROLLED	
REMOTE CONTROLLED	
REMOTE CONTROLLED	
OTHER	

SPECIFY AIR,GAS,VAC,C/W OR OTHER

ELECT. SERVICE LT CAT. NO

DUPLEX RECEPT.125V,15A	
DUPLEX RECEPT.125V, 20A	
SIMPLEX RECEPT. 250V	
DUPLEX GFI 125V, 15A	
DUPLEX GFI 125V, 20A	

ACCESS PANEL

INSIDE LOCATION	
OUTSIDE LOCATION	

WALL MOUNTED CUPSINK CAT. NO

INDICATE TYPE & LOCATION	

AIRFLOW MONITOR CAT. NO

ANALOG	
DIGITAL	
OTHER	

SASH CAT. NO

VERTICAL MOVING STD	STD
HORIZONTAL MOVING	
COMBINATION H&V	

SASH STOP CAT. NO

SPECIFY LOCATION	
------------------	--

SERVICE FIXTURES CAT. NO

REMOTE CONTROLLED	
REMOTE CONTROLLED	
REMOTE CONTROLLED	
REMOTE CONTROLLED	
OTHER	

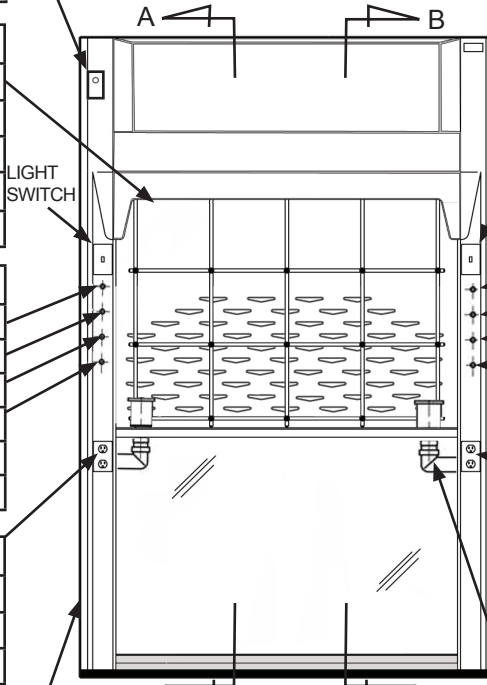
SPECIFY AIR,GAS,VAC,C/W OR OTHER

ELECT. SERVICE LT CAT. NO

DUPLEX RECEPT.125V,15A	
DUPLEX RECEPT.125V, 20A	
SIMPLEX RECEPT. 250V	
DUPLEX GFI 125V, 15A	
DUPLEX GFI 125V, 20A	

ACCESS PANEL

INSIDE LOCATION	
OUTSIDE LOCATION	



FRONT VIEW FLOOR MOUNTED FUME HOOD

Click to Clear Form

Clear

caution: this clears all form fields

HEMCO Corporation ISO 9001: 2008

Plan-A-UniFLOW FM Fume Hoods

Click to Submit Form

Submit

window opens, select your e-mail service, add a message, press send

HEMCO Corporation PH:816-796-2900 Fax:816-796-3333 info@HEMCOCORP.COM

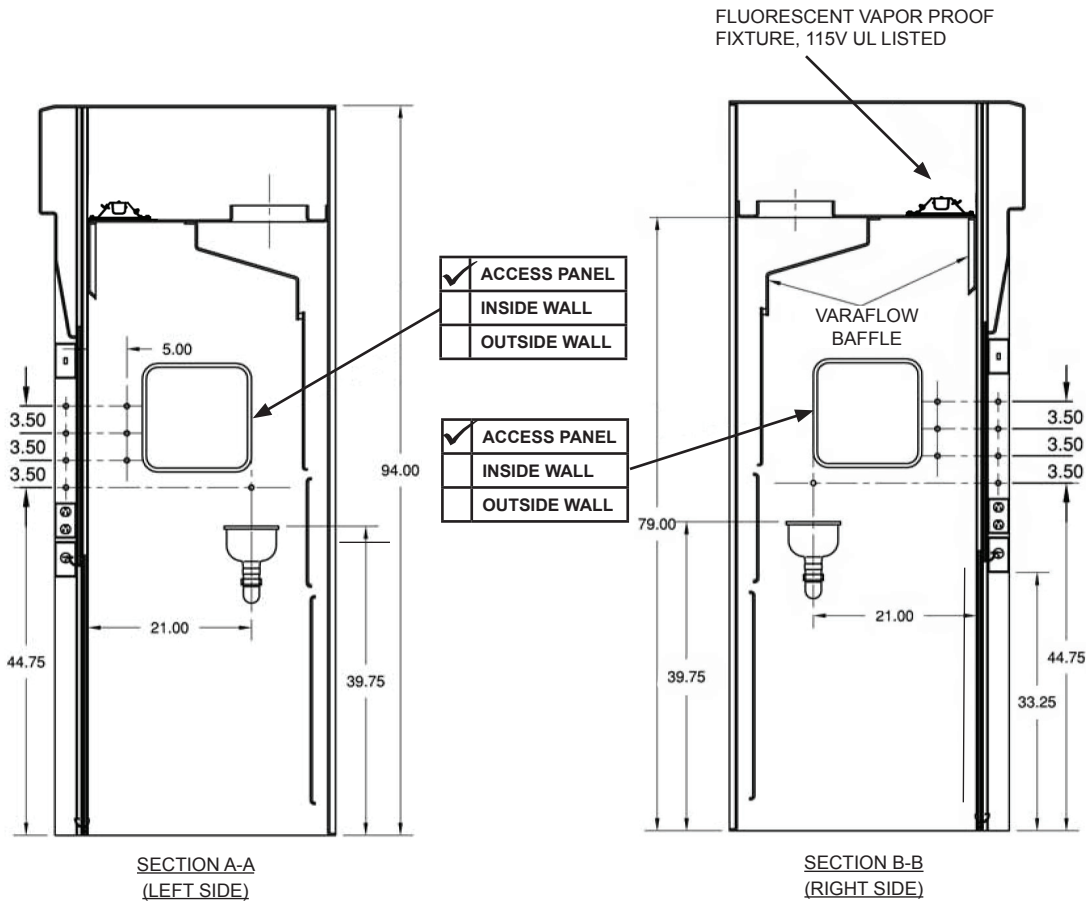
PLAN-A-HOOD FM FUME HOOD

SHEET 2 OF 2

CUSTOMER _____
 BY _____ DATE _____
 PHONE _____
 FAX _____
 EMAIL _____

CUSTOMER APPROVAL APPROVED AS SHOWN
 APPROVED AS NOTED (PLEASE MARK CORRECTIONS IN RED)
 NOT APPROVED (PLEASE INDICATE REASON)

CUSTOMER SIGNATURE _____ DATE _____



<input checked="" type="checkbox"/> WORKSURFACE	CAT. NO
EPOXY RESIN	
COMPOSITE RESIN	
PHENOLIC RESIN	
316 STAINLESS STEEL	
OTHER	



PLAN VIEW OF WORK SURFACE